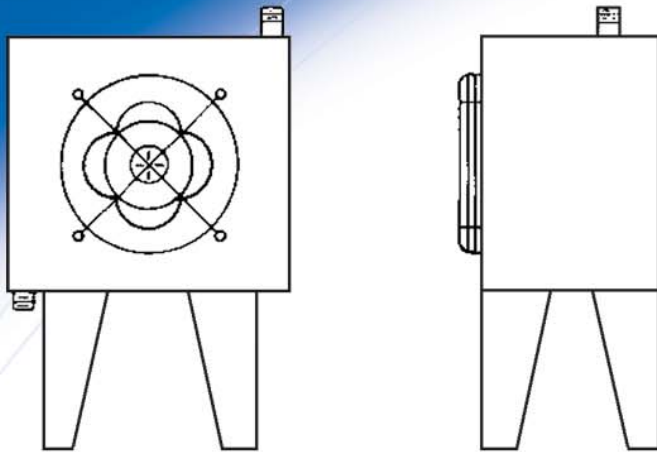


ACH Aftercoolers

Air-Cooled Aftercoolers



ZEKS ACH Air-Cooled Aftercoolers are an economical way to lower the temperature of compressed air to useful levels while removing bulk moisture. Use in compressed air systems where cooling water is not available or impractical to connect. Install after air compressor to increase the efficiency of downstream air treatment equipment.

Choose from five ACH models.

- **Simple Installation and Connection**
- **Efficient Moisture Vapor Removal**
- **Low Pressure Drop**
- **Reliable Operation**
- **NEMA 1 Construction**

ACH Capacity Selection

Maximum SCFM Capacity at 5°F, 10°F, 15°F, 20°F Approach Temperatures

Inlet Temp. Approach Temp.	150°F				200°F				250°F				300°F				350°F			
	5°F	10°F	15°F	20°F	5°F	10°F	15°F	20°F	5°F	10°F	15°F	20°F	5°F	10°F	15°F	20°F	5°F	10°F	15°F	20°F
Model																				
51ACH	37	48	55	62	36	47	53	60	35	42	50	56	31	37	44	51	27	32	36	43
125ACH	65	99	141	153	60	94	127	153	58	88	125	140	50	74	103	120	42	60	80	100
210ACH	101	168	257	251	105	165	220	250	90	150	210	230	73	121	172	197	56	92	133	164
301ACH	169	258	338	404	160	240	340	420	150	230	300	370	120	200	244	305	90	140	188	240
670ACH	311	451	755	795	342	498	696	740	277	402	670	720	192	298	479	559	106	193	287	390

Maximum Working Pressure:

Models 51ACH - 125ACH: 200 PSIG @ 400°F; 250 PSIG @ 250°F

Models 210ACH - 670ACH: 200 PSIG @ 400°F; 225 PSIG @ 250°F



1302 Goshen Parkway
 West Chester, PA 19380

Phone: 610-692-9100 800-888-2323

Fax: 610-692-9192

Web: www.zeks.com

Specifications, illustrative materials and descriptions contained herein were as accurate as known at the time this publication was approved for printing. The company reserves the right to change specifications, discontinue models, equipment or design without notice and without incurring obligation. The information set out in this brochure is for preliminary information only and is not intended to constitute any representation or warranty by ZEKs to potential customers or to form the basis of a contract with any customer.